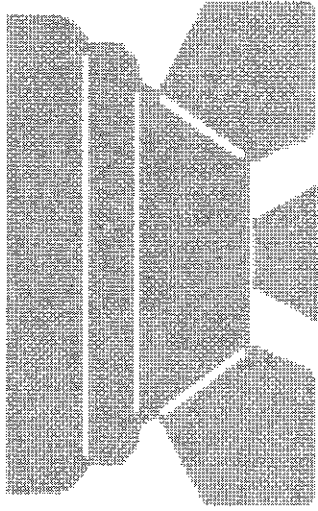




Service Publications



1998



Paint Code
Guide

**1998 Winnebago Industries Motor Home
Graphic Film & Body Colors**

TABLE OF CONTENTS

General Information.....	3
Application Specifications.....	4
Spray Techniques	5
EuroVan Camper.....	6, 7
Rialta	8, 9
Minnie.....	10, 11
Spirit.....	12, 13
Minnie Winnie.....	14, 15
Minnie Winnie DL	16, 17
Sundancer	18, 19
Sundancer DL	20, 21
Brave.....	22, 23
Sunrise	24, 25
Adventurer.....	26, 27
Suncruiser	28, 29
Vectra Grand Tour.....	30–33
Luxor	34, 35

Winnebago Industries Service Publications – Dupont® Paint Codes

GENERAL INFORMATION

This manual contains paint code information expressly for vehicles manufactured by Winnebago Industries.

Keep this manual available for immediate reference to help provide quality care and service to the specified vehicles.

The paint codes specified in this manual are based upon the most recent information available at the time of publication. Winnebago Industries, Inc., reserves the right to make changes and to make additions to or improvement in its products without prior notice and without imposing any obligation upon itself to make such changes, improvements, or additions to products previously manufactured.

Winnebago may periodically issue service bulletins and manual revisions to supplement or replace information in this manual. It is your responsibility to read these updates and file them in the appropriate section of this manual.

If you need further assistance after consulting this manual, please contact the Winnebago Industries Service Department at the toll-free number shown below. **This number is for DEALERSHIP USE ONLY — not for customer use.**



APPLICATION SPECIFICATIONS

Winnebago Industries produced vehicles, receiving standard factory applied automotive finishes, are painted with Dupont Imron® brand polyurethane enamel.

The following equipment and specifications are used:

Spray Gun: Mattson HVLP (HighVolume/Low Pressure)

Air Cap: Mattson 7042

Tip: .050

Fluid Feed: 60-80 ml per 15 seconds

Air Pressure: 50 psi

SPRAY TECHNIQUES AFFECTING COLOR MATCH IN SINGLE STAGE METALLIC COLORS

TECHNIQUE	TO LIGHTEN	TO DARKEN
Air Pressure	Increase	Decrease
Film Build	Thin (assuming hiding)	Thick
Fluid Delivery	Decrease	Increase
Fluid Pressure	Decrease	Increase
Gun Distance	Increase	Decrease
Gun Speed	Increase	Decrease
Nozzle Size	Decrease	Increase
Number of Mist Coats	More (assuming flash)	Less (assuming flash)
Paint Temperature	Hot	Cold
Panel Angle	Vertical	Horizontal
Reduction	Increase	Decrease
Solvent Selection	Faster	Slower
Time Between Coats	Increase	Decrease
Viscosity	Thin	Thick

NOTE: The above chart is intended for use in determining light and dark variations. Perceived hue and chromatic variations are also possible, depending on the metallic color being sprayed.

Winnebago Industries Service Publications – Dupont® Paint Codes

1998 EUROVAN CAMPER

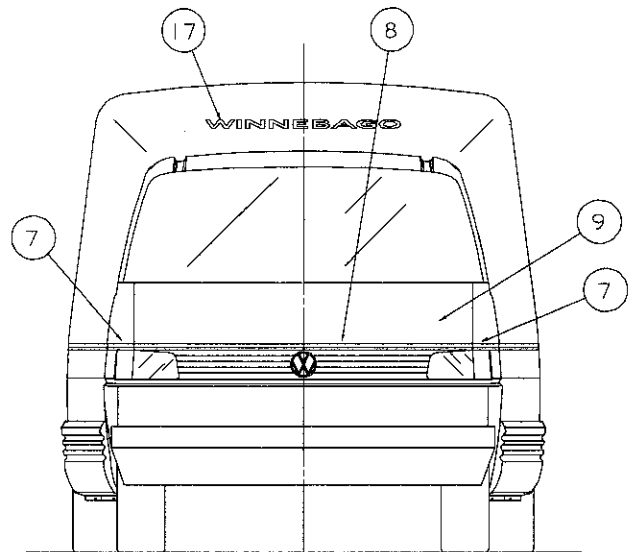
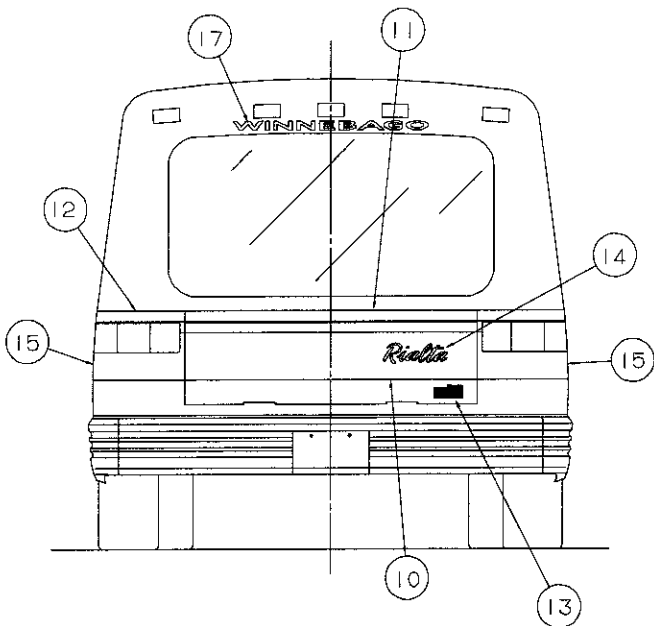
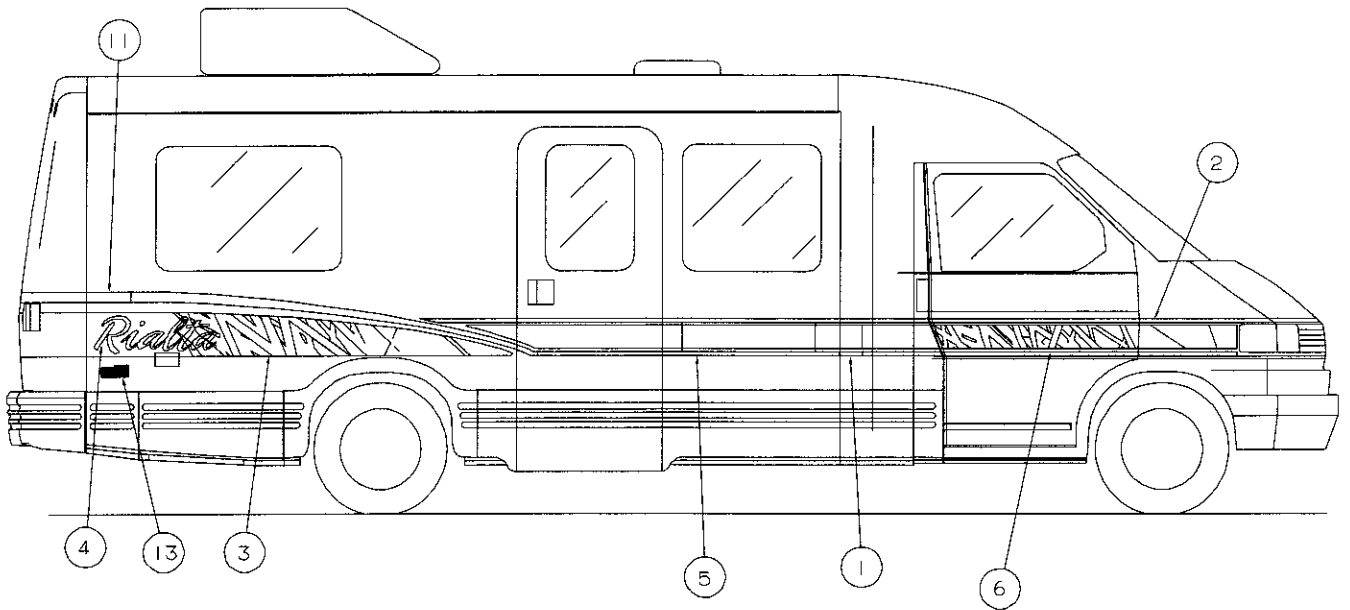
MAIN BODY COLOR

Color Name	Dupont Code
VW White	W9670

ACCENT & VALANCE COLORS

Location	Color Name	Dupont Code
None	None	---

1998 *Rialta*



1998 Rialta

EXTERIOR FILM GRAPHICS & PAINT

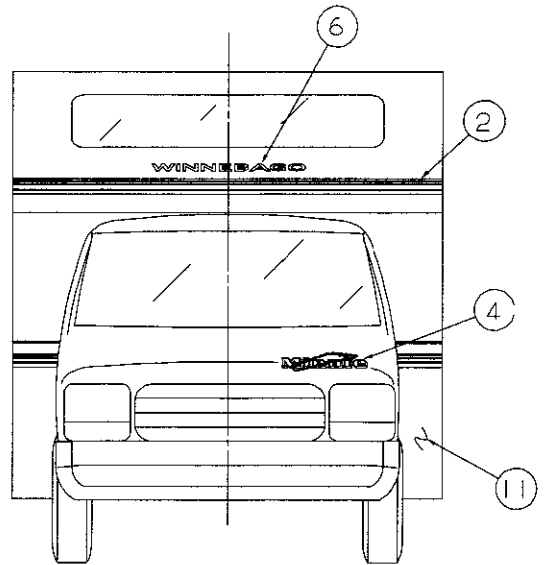
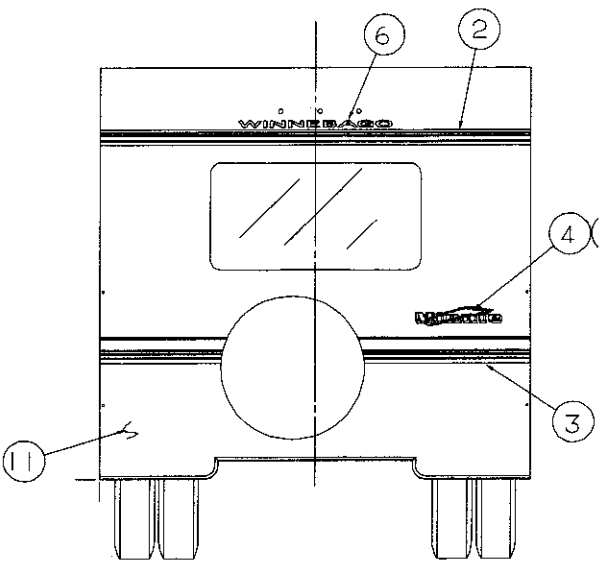
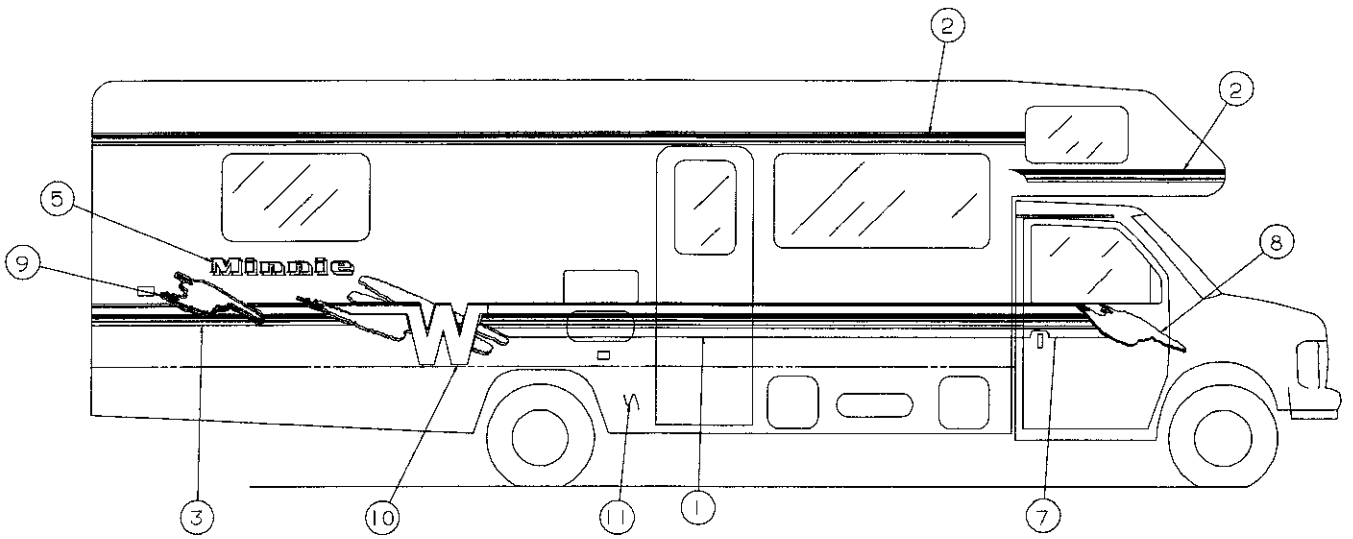
Item	Color	Item	Color
1	Pine Green / Gold	9	Pine Green
2	Med. Smoke	10	Pine Green
3	Gold / Seafoam / Med. Smoke / Ivy Green / Pine Green	11	Pine Green
4	VW White	12	Gold
5	Pine Green / Med. Smoke / VW White / Gold	13	Pine Green
6	Med. Smoke / Seafoam / Ivy Green / Pine Green / Gold	14	VW White
7	Med. Smoke	15	Pine Green
8	Med. Smoke	17	Med. Smoke

Note: Multistripe colors are listed in top-to-bottom sequence.

PAINT AND FILM COLOR CODES

Color	Dupont #
VW White (<i>Main Body & Cab Color</i>)	W9670
Pine Green Met.	GM130
Ivy Green Met.	YM537
Seafoam Met.	GM200
Gold Met.	YM209
Med. Smoke Met.	MM088

1998 MINNIE



1998 MINNIE

EXTERIOR FILM GRAPHICS

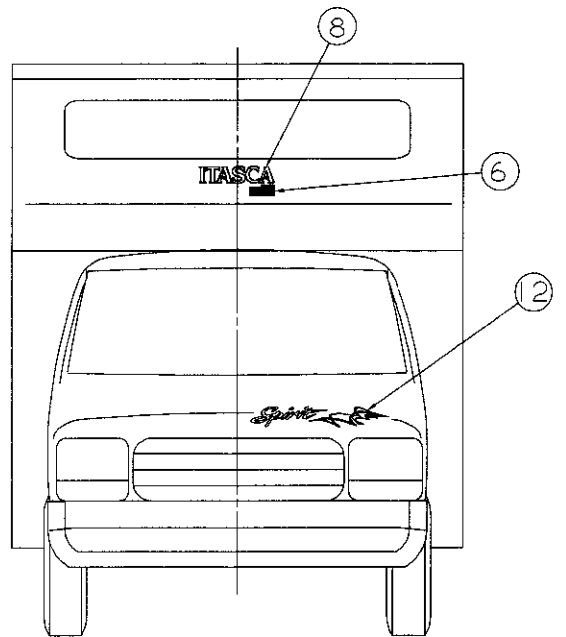
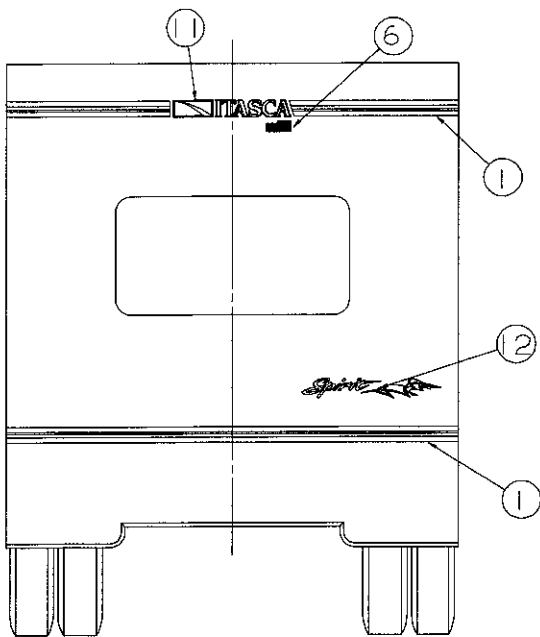
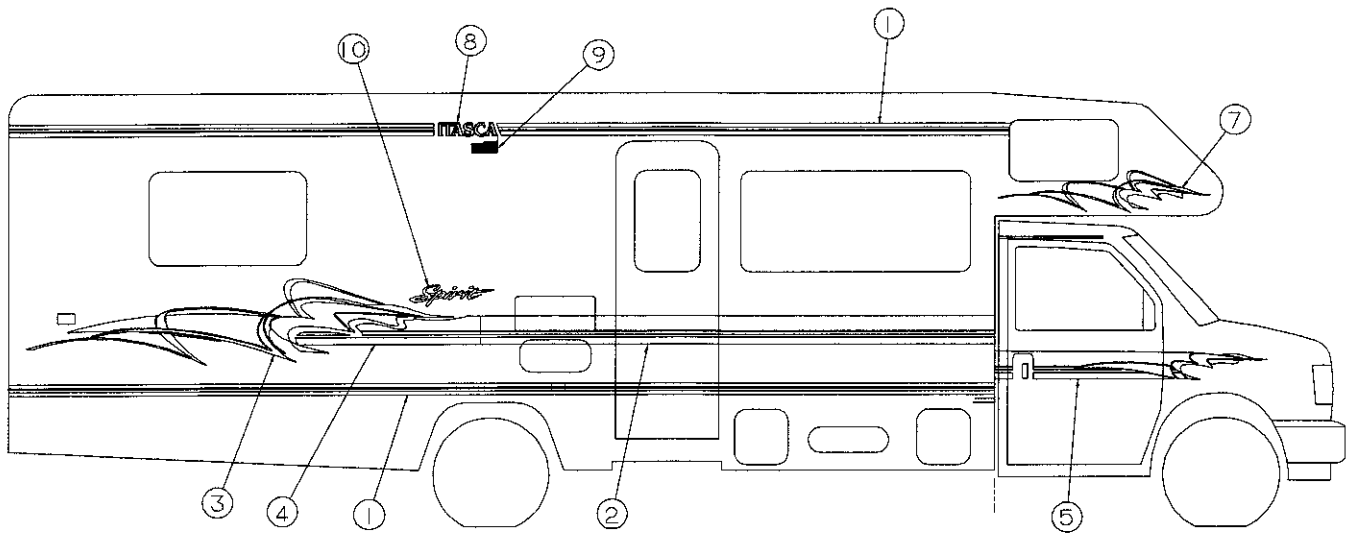
Item	Color	Item	Color
1	Blazer Blue / Marlin Blue / Fuchsia Ice / Lt. Marine Blue	7	Blazer Blue / Marlin Blue / Fuchsia Ice / Lt. Marine Blue
2	Blazer Blue / Fuchsia Ice / Marlin Blue / Lt. Marine Blue	8	Blazer Blue / Marlin Blue / Lt. Marine Blue
3	Blazer Blue / Marlin Blue / Fuchsia Ice	9	Blazer Blue / Marlin Blue / Lt. Marine Blue / Bright White
4	Blazer Blue / Marlin Blue / Lt. Marine Blue	10	Blazer Blue / Marlin Blue / Lt. Marine Blue
5	Marlin Blue / Blazer Blue	11	Lt. Silver <i>Valance paint</i> <i>Euro export models only</i>
6	Marlin Blue	—	

Note: Multistripe colors are listed in top-to-bottom sequence.

PAINT AND FILM COLOR CODES

Color	Dupont #
Chevy Olympic White- code 50 (Cab color)	B8550
Ford Oxford White- code YZ (Cab color)	B9145
Bright White (<i>Main Body Color</i>)	B8951
Blazer Blue Met.	BM500
Marlin Blue Met.	BM090
Light Marine Blue Met.	RM011
Fuchsia Ice Met.	K9457
Light Silver Met.	F2573U

1998 SPIRIT



1998 SPIRIT

EXTERIOR FILM GRAPHICS

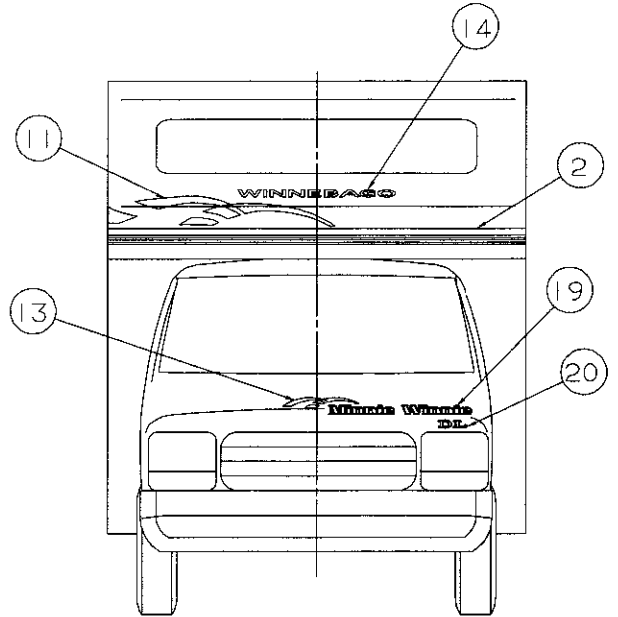
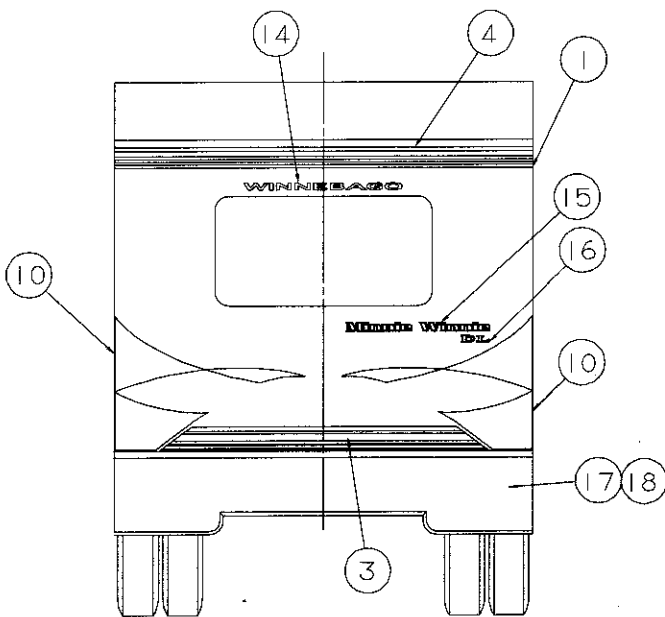
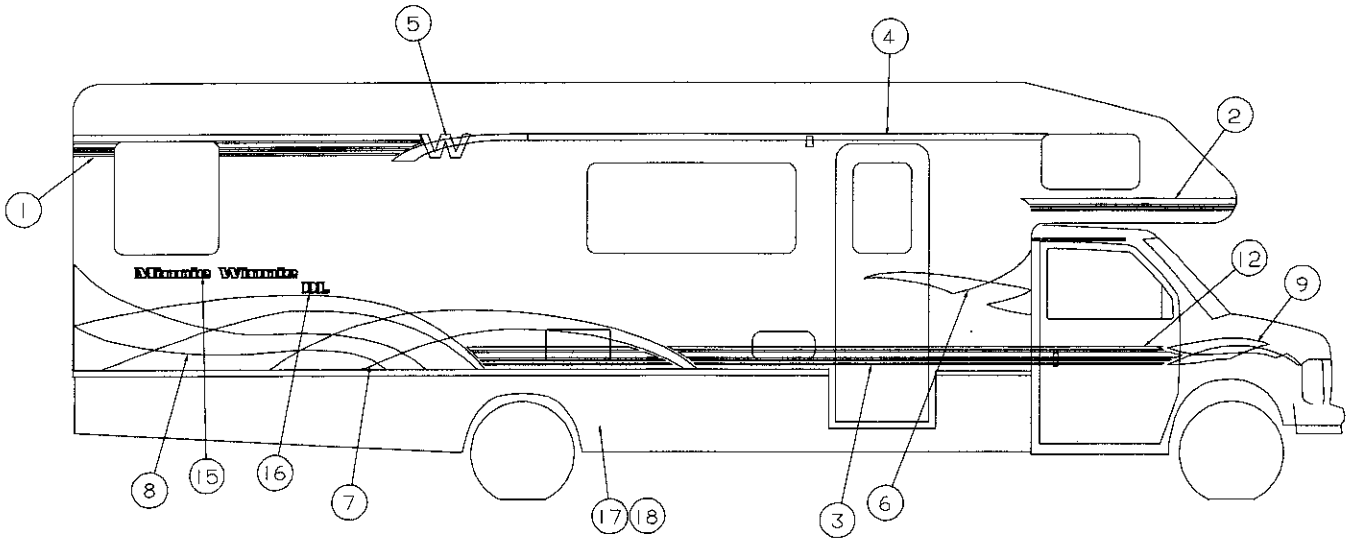
Item	Color	Item	Color
1	Lt. Green / Dk. Marine Blue / Violet	7	Shale Blue / Lt. Green / Violet
2	Dk. Marine Blue / Violet / Shale Blue	8	Dk. Marine Blue / Bright White
3	Shale Blue / Dk. Marine Blue / Lt. Green / Violet	9	Dk. Marine Blue
4	Dk. Marine Blue / Violet / Shale Blue	10	Dk. Marine Blue
5	Dk. Marine Blue / Violet / Shale Blue / Lt. Green	11	Dk. Marine Blue / Bright White
6	Dk. Marine Blue	12	Dk. Marine Blue Met/ Shale Blue / Lt. Green / Violet

Note: Multistripe colors are listed in top-to-bottom sequence.

PAINT AND FILM COLOR CODES

Color	Dupont #
Chevy Olympic White- code 50 (Cab color)	B8550
Ford Oxford White- code YZ (Cab color)	B9145
Bright White (<i>Main Body Color</i>)	B8951
Dark Marine Blue Met.	F4578
Shale Blue Met.	F0744
Violet Met.	F2984
Light Green Met.	F2969U

1998 MINNIE WINNIE / MINNIE WINNIE DL



1998 MINNIE WINNIE / MINNIE WINNIE DL

EXTERIOR FILM GRAPHICS & PAINT

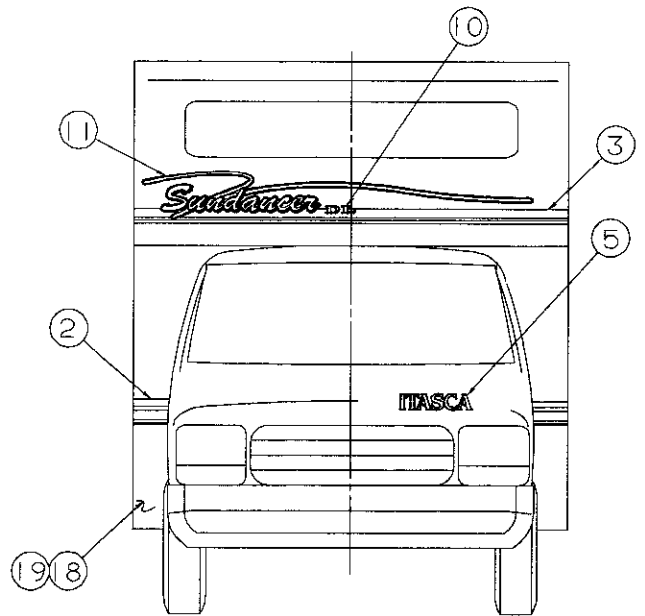
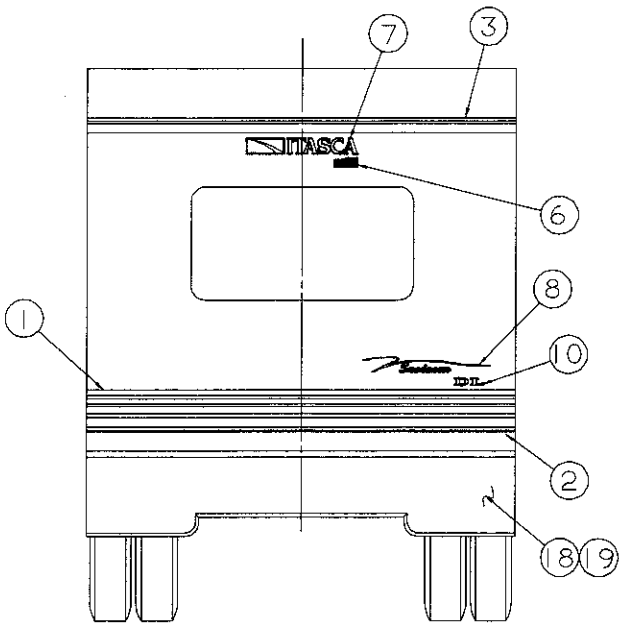
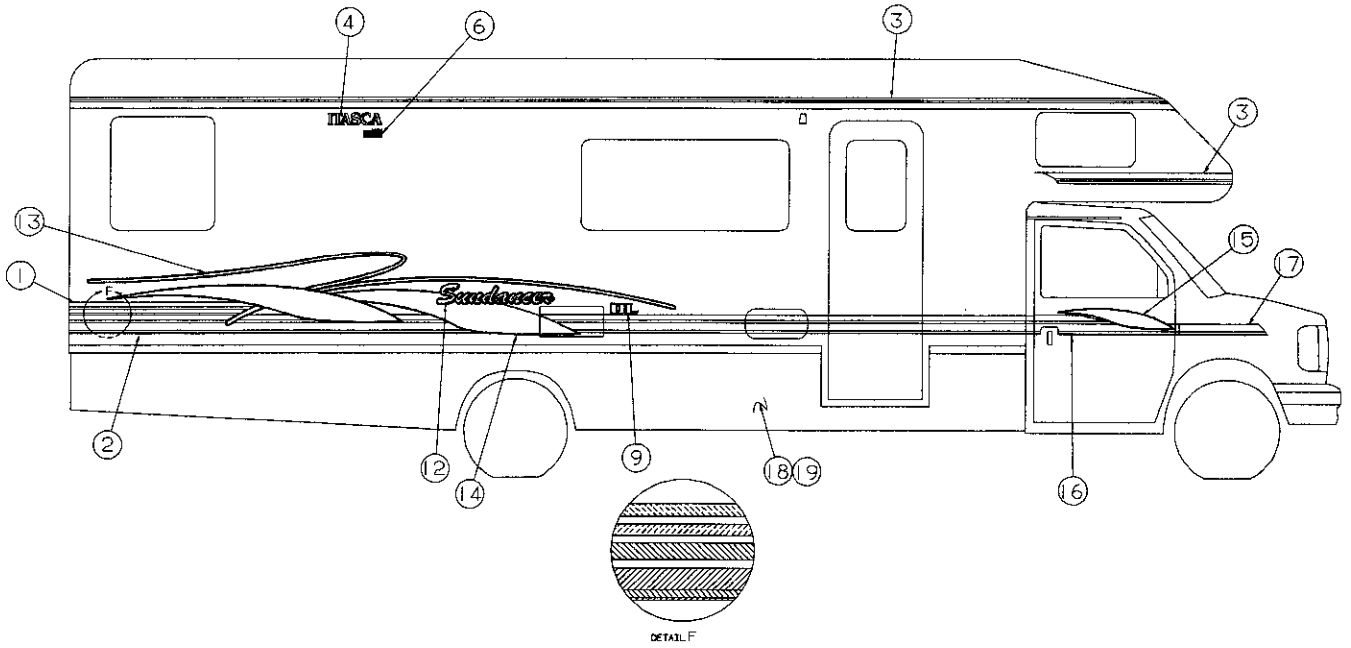
Item	Color	Item	Color
1	Med. Smoke / Dk. Marine Blue / Concord Grape	11	Oriental Blue-Green/ Dk. Marine Blue / Seafoam / Concord Grape
2	Med. Smoke / Oriental Blue-Green/ Seafoam	12	Concord Grape/ Med. Smoke / Oriental Blue-Green/ Seafoam
3	Concord Grape/ Med. Smoke / Oriental Blue-Green/ Seafoam	13	Oriental Blue-Green/ Dk. Marine Blue / Concord Grape
4	Oriental Blue-Green	14	Med. Smoke
5	Oriental Blue-Green/ Dk. Marine Blue	15	Bright White/ Concord Grape/ Seafoam
6	Med. Smoke / Oriental Blue-Green/ Lt. Green	16	Bright White/ Concord Grape/ Seafoam
7	Oriental Blue-Green/ Dk. Marine Blue / Med. Smoke / Lt. Green / Concord Grape	17	Lt. Green <i>Valance paint</i> <i>opt. 27G– Graphics Pkg. #1</i>
8	Dk. Marine Blue / Med. Smoke / Lt. Green	18	Platinum <i>Valance paint</i> <i>opt. 92K– Graphics Pkg. #2</i>
9	Dk. Marine Blue / Oriental Blue-Green/ Med. Smoke	19	Bright White/ Concord Grape/ Seafoam
10	Oriental Blue-Green/ Med. Smoke / Lt. Green	20	Bright White/ Concord Grape/ Seafoam

Note: Multistripe colors are listed in top-to-bottom sequence.

PAINT AND FILM COLOR CODES

Color	Dupont #
Chevy Olympic White- code 50 (Cab color)	B8550
Ford Oxford White- code YZ (Cab color)	B9145
Bright White (<i>Main Body Color</i>)	B8951
Dark Marine Blue Met.	F4578
Oriental Blue-Green	GM101
Concord Grape	F4582
Medium Smoke Met.	MM088
Seafoam Met.	GM200
Platinum Met.	F2528U
Light Green Met.	F2969U

1998 SUNDANCER / SUNDANCER DL



1998 SUNDANCER / SUNDANCER DL

EXTERIOR FILM GRAPHICS & PAINT

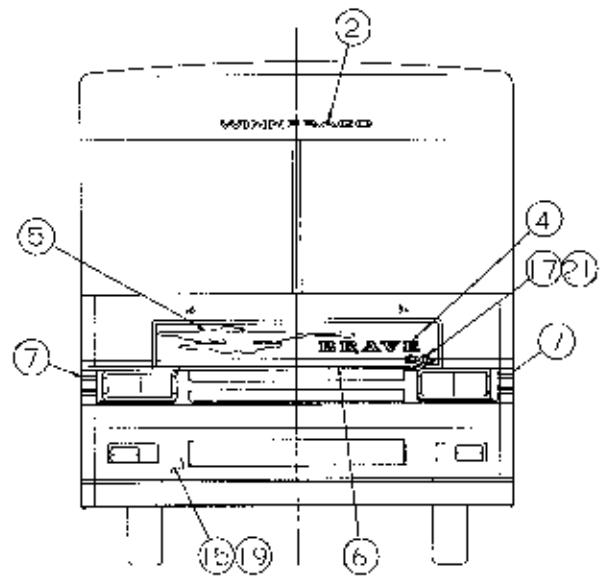
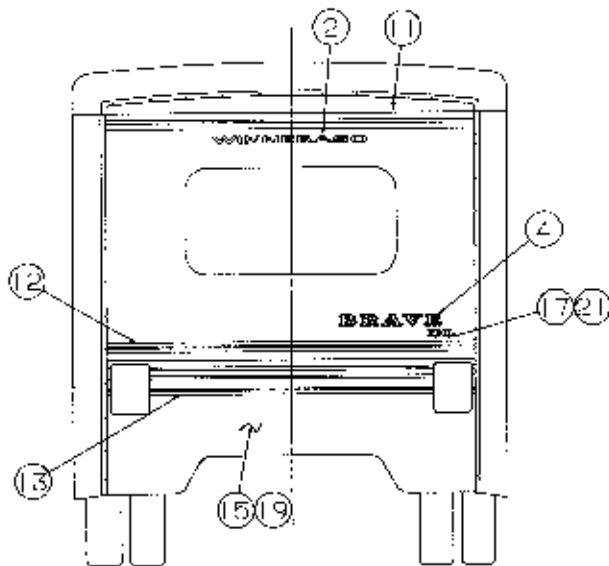
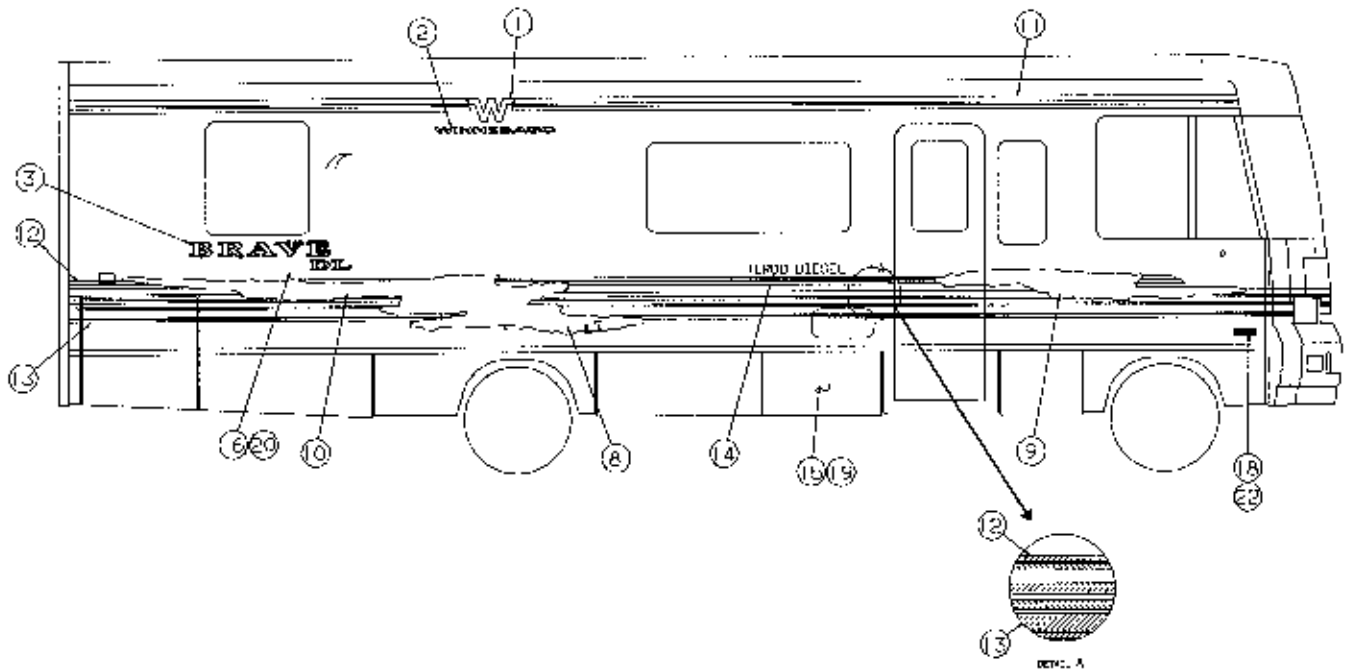
Item	Color	Item	Color
1	Apricot Mist / Malibu Teal	11	Bright White/ Apricot Mist / Amethyst Frost / Marine Blue
2	Amethyst Frost / Marine Blue / Apricot Mist	12	Bright White/ Marine Blue / Amethyst Frost / Apricot Mist
3	Amethyst Frost / Apricot Mist	13	Bright White/ Apricot Mist / Amethyst Frost / Marine Blue
4	Bright White/ Marine Blue	14	Bright White/ Apricot Mist / Amethyst Frost / Marine Blue
5	Bright White/ Marine Blue	15	Apricot Mist/ Marine Blue/ Bright White
6	Marine Blue	16	Marine Blue/ Apricot Mist / Amethyst Frost
7	Bright White/ Marine Blue	17	Marine Blue/ Apricot Mist
8	Apricot Mist / Amethyst Frost / Marine Blue	18	Light Champagne Met. <i>Valance paint opt. 92K – Graphics Pkg. #2</i>
9	Bright White/ Marine Blue / Amethyst Frost / Apricot Mist	19	Seamist Met. <i>Valance paint opt. 27G – Graphics Pkg. #1</i>
10	Bright White/ Marine Blue / Amethyst Frost / Apricot Mist	—	

Note: Multistripe colors are listed in top-to-bottom sequence.

PAINT AND FILM COLOR CODES

Color	Dupont #
Chevy Olympic White- code 50 (Cab color)	B8550
Ford Oxford White- code YZ (Cab color)	B9145
Bright White (<i>Main Body Color</i>)	B8951
Apricot Mist Met.	F4581
Malibu Teal Met.	F4580
Amethyst Frost Met.	RM012
Marine Blue Met.	F4579
Light Champagne Met.*	F2997U
Seamist Met.*	F1977U

1998 BRAVE SE / BRAVE DL



1998 BRAVE SE / BRAVE DL

EXTERIOR FILM GRAPHICS & PAINT

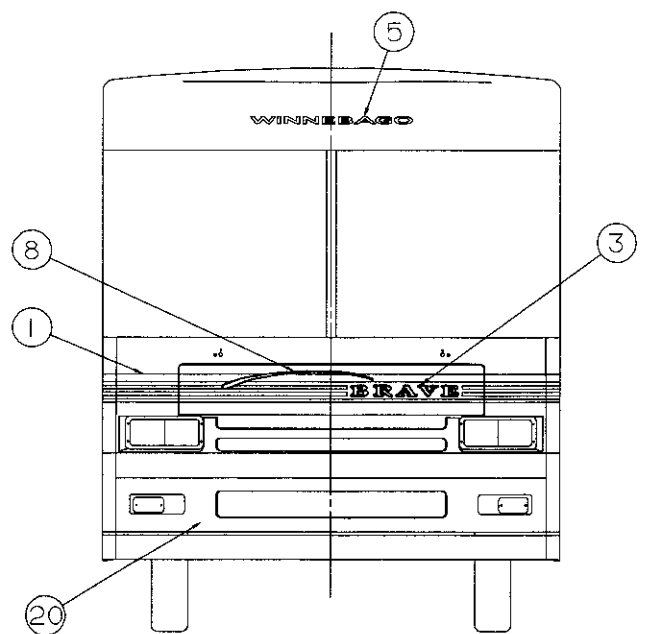
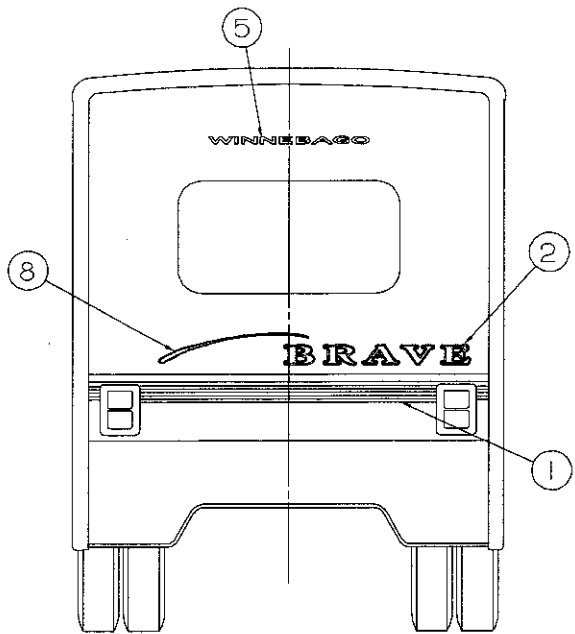
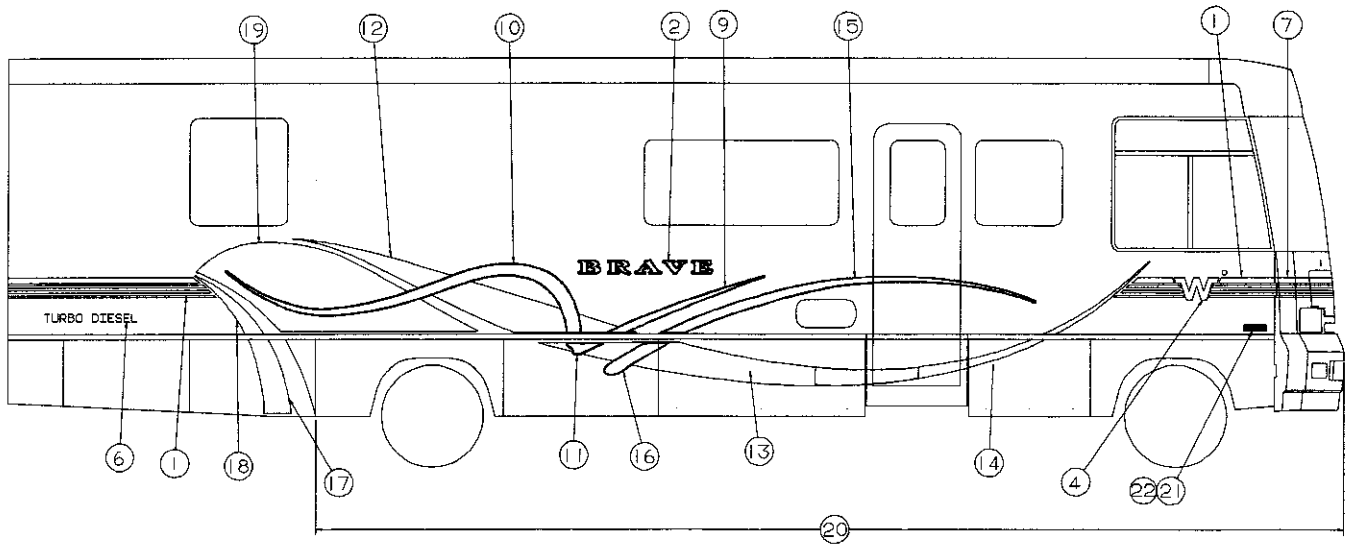
Item	Color	Item	Color
1	Stellar Blue	12	Teal Green / Dusty Rose
2	Stellar Blue	13	Orchid Mist / Dk. Green / Stellar Blue / Teal Green
3	Stellar Blue / Orchid Mist	14	Stellar Blue (TURBO DIESEL decal)
4	Stellar Blue / Orchid Mist	15	Lt. Silver * (Dupont F2573U) *Valance paint– Standard SE graphics pkg.
5	Bright White/ Teal Green/ Stellar Blue / Orchid Mist	16	Bright White/ Stellar Blue / Orchid Mist (Lg. DL decal)
6	Dk. Green	17	Bright White/ Stellar Blue / Orchid Mist (Sm. DL decal)
7	Dk. Green / Stellar Blue / Teal Green	18	Chevy VORTEC Emblem
8	Bright White/ Teal Green / Stellar Blue / Orchid Mist	19	Cool Blue Valance paint opt. 09D – DL Upgrade Pkg.
9	Bright White/ Teal Green / Stellar Blue / Orchid Mist	20	Stellar Blue / Orchid Mist / Bright White (Lg. SE decal)
10	Bright White/ Stellar Blue / Orchid Mist	21	Stellar Blue / Orchid Mist / Bright White (Sm. SE decal)
11	Stellar Blue / Orchid Mist	22	Ford TRITON V-10 Emblem

Note: Multistripe colors are listed in top-to-bottom sequence.

PAINT AND FILM COLOR CODES

Color	Dupont #
Bright White (Main Body Color)	B8951
Stellar Blue Met.	F4585
Orchid Mist Met.	F1916K
Teal Green Met.	F4584
Dark Green Met.	MM172
Dusty Rose Met.	F4583
Light Silver Met.	F2573U
Cool Blue Met.	F3353U

1998 BRAVE Basement



1998 BRAVE Basement

EXTERIOR FILM GRAPHICS & PAINT

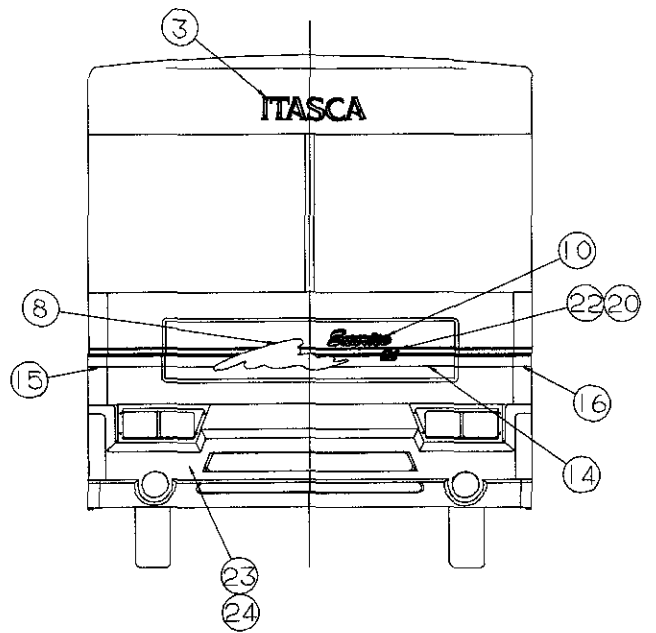
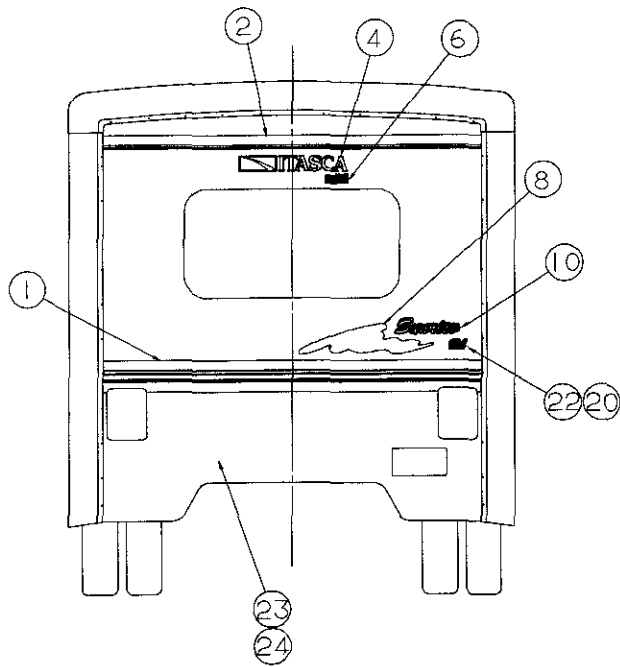
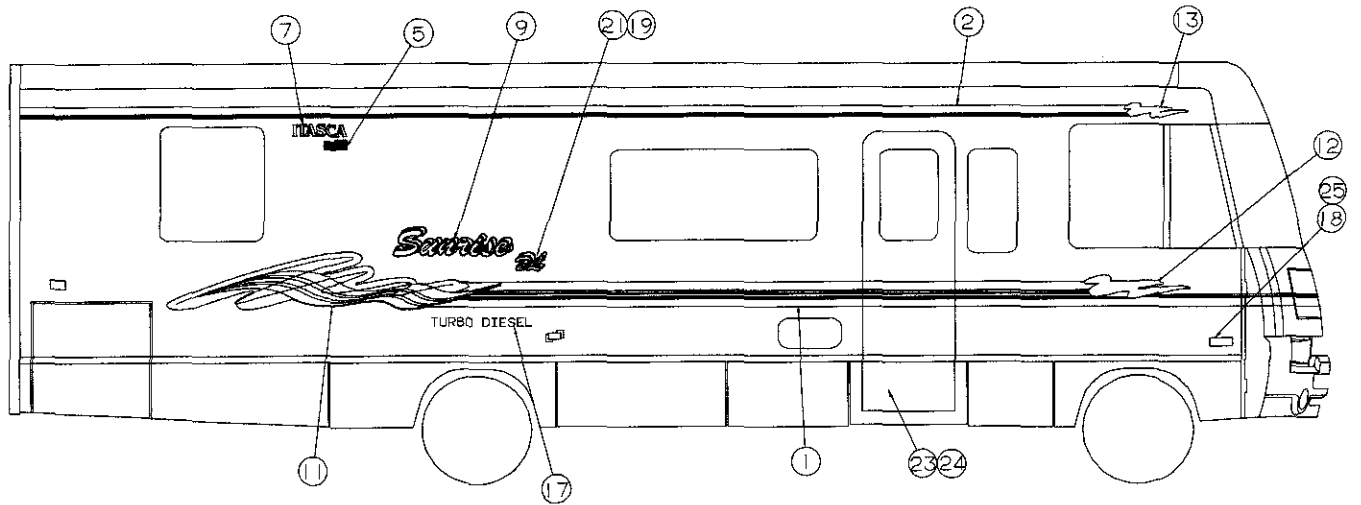
Item	Color	Item	Color
1	Dk. Purple / Dusty Orchid / Dark Bright Teal	12	Dark Bright Teal
2	Dk. Purple / Dusty Orchid	13	Dark Bright Teal
3	Dk. Purple / Dusty Orchid	14	Dark Bright Teal
4	Dk. Purple	15	Bright White/ Dk. Purple / Dusty Orchid
5	Dk. Purple	16	Bright White/ Dk. Purple / Dusty Orchid
6	Dk. Purple	17	Dark Bright Teal
7	Dk. Purple / Dusty Orchid / Dark Bright Teal	18	Dark Bright Teal
8	Dk. Purple / Dusty Orchid / Bright White	19	<i>Aztec Silver Decal backgrnd paint Std. graphics pkg.</i>
9	Bright White/ Dk. Purple / Dusty Orchid	20	<i>Lt. Silver Valance paint Standard graphics pkg.</i>
10	Bright White/ Dk. Purple / Dusty Orchid	21	Chevy VORTEC Emblem
11	Bright White/ Dk. Purple / Dusty Orchid	22	Ford TRITON V-10 Emblem

Note: Multistripe colors are listed in top-to-bottom sequence.

PAINT AND FILM COLOR CODES

Color	Dupont #
Bright White (<i>Main Body Color</i>)	B8951
Dark Purple Met.	F0740
Dusty Orchid Met.	F2986
Dark Bright Teal Met.	GM240
Aztec Silver Met.	F2573U
Light Silver Met.	F2573U

1998 SUNRISE SE / SUNRISE DL



1998 SUNRISE SE / SUNRISE DL

EXTERIOR FILM GRAPHICS & PAINT

Item	Color	Item	Color
1	Violet Firemist / Amethyst Frost / Concord Purple/ Dk. Green / Khaki / Champagne Star	14	Amethyst Frost / Champagne Star / Khaki / Dk. Green / Concord Purple
2	Violet Firemist / Concord Purple/ Dk. Green	15	Amethyst Frost / Champagne Star / Khaki / Dk. Green / Concord Purple
3	Bright White/ Concord Purple	16	Amethyst Frost / Champagne Star / Khaki / Dk. Green / Concord Purple
4	Concord Purple	17	Khaki
5	Concord Purple	18	Chevy <i>VORTEC</i> Emblem
6	Concord Purple	19	Bright White/ Khaki / Violet Firemist
7	Bright White/ Concord Purple	20	Bright White/ Khaki / Violet Firemist
8	Khaki / Concord Purple/ Violet Firemist / Bright White	21	Bright White/ Khaki / Violet Firemist/ Concord Purple
9	Khaki / Concord Purple/ Violet Firemist / Bright White	22	Bright White/ Khaki / Violet Firemist/ Concord Purple
10	Khaki / Concord Purple/ Violet Firemist / Bright White	23	<i>Platinum Valance paint std. SE Graphics Pkg.</i>
11	Khaki / Concord Purple/ Violet Firemist / Bright White	24	<i>Wintergreen Valance paint opt.92K – DL Graphics Pkg.</i>
12	Khaki / Concord Purple/ Violet Firemist / Bright White	25	Ford <i>TRITON V-10</i> Emblem
13	Khaki / Concord Purple/ Violet Firemist / Bright White		

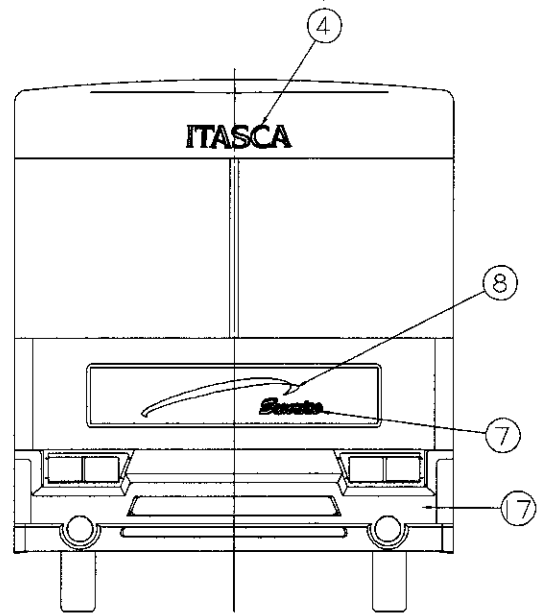
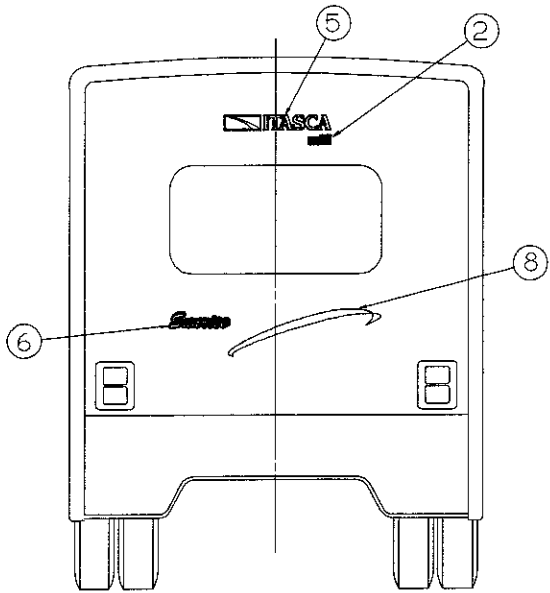
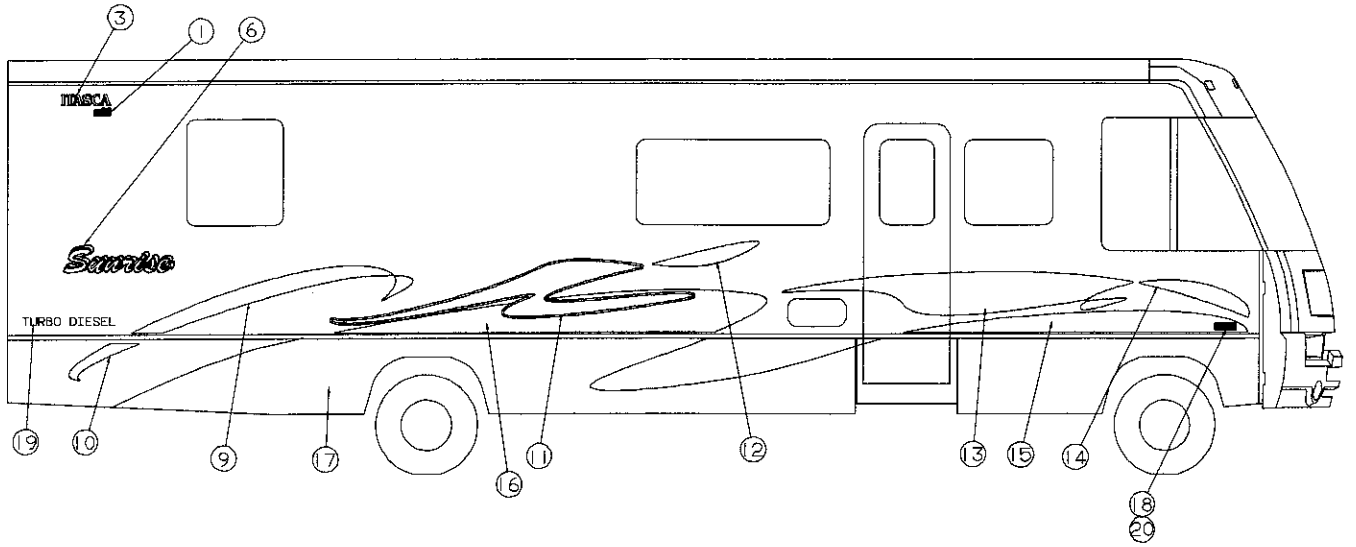
Note: Multistripe colors are listed in top-to-bottom sequence.

PAINT AND FILM COLOR CODES

Color	Dupont #
Bright White (<i>Main Body Color</i>)	B8951
Violet Firemist Met.	F4572
Amethyst Frost Met.	RM012
Concord Purple Met.	F4573
Dark Green Met.	MM172
Khaki Met.	F4574
Champagne Star Met.	MM081
Platinum Met.	F2528U
Wintergreen Met.	F3326U

1998 SUNRISE Basement

Winnebago Industries Service Publications – Dupont® Paint Codes



1998 SUNRISE Basement

EXTERIOR FILM GRAPHICS & PAINT

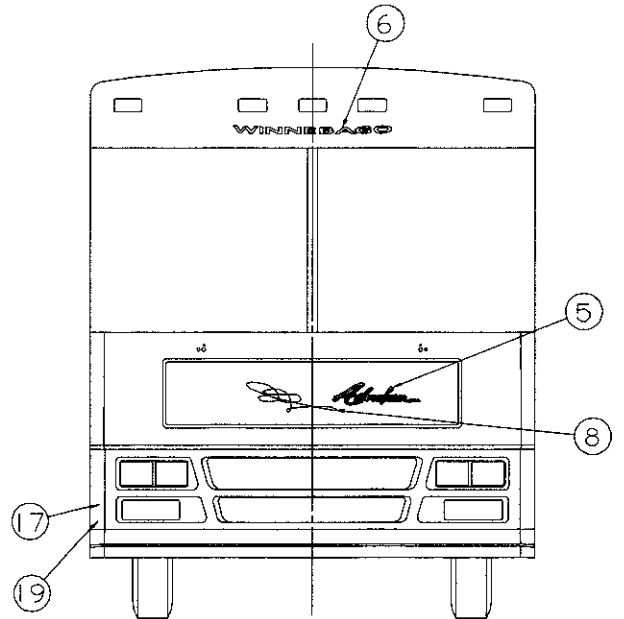
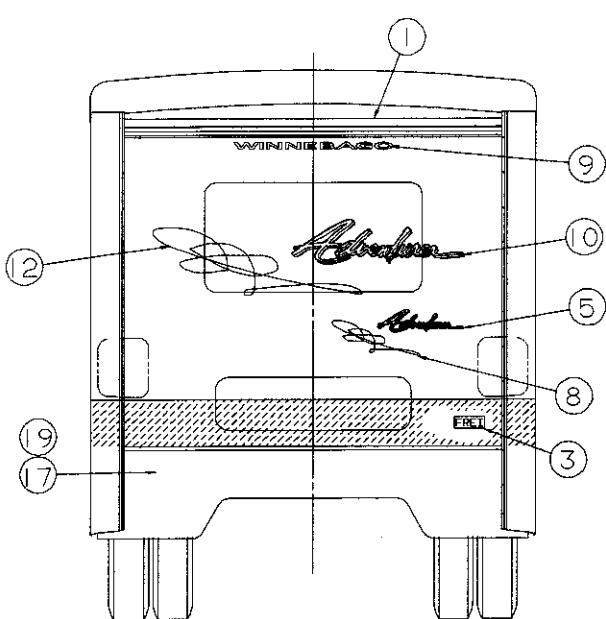
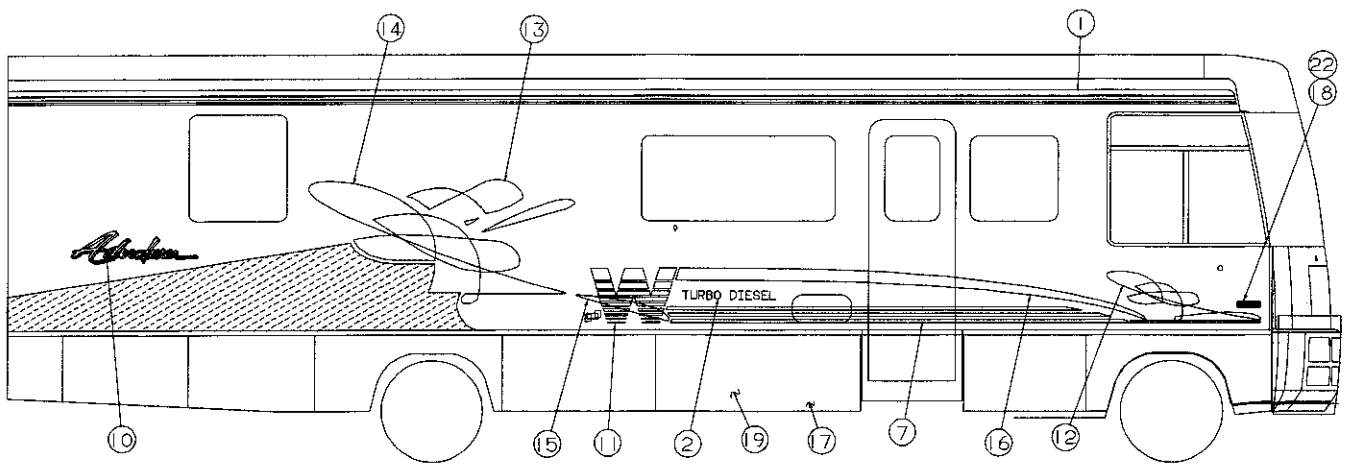
Item	Color	Item	Color
1	Lavender Frost/ Bright White	11	Bright White/ Star Myth / Lavender Frost/ Pyrite
2	Lavender Frost/ Bright White	12	Star Myth / Lavender Frost/ Pyrite
3	Lavender Frost/ Bright White	13	Star Myth / Lavender Frost/ Pyrite
4	Lavender Frost/ Bright White	14	Star Myth / Lavender Frost/ Pyrite
5	Lavender Frost/ Bright White	15	Aztec Silver <i>Decal backgrnd paint</i> <i>Std. graphics pkg.</i>
6	Bright White/ Lavender Frost/ Pyrite / Star Myth	16	Aztec Silver <i>Decal backgrnd paint</i> <i>Std. graphics pkg.</i>
7	Bright White/ Lavender Frost/ Pyrite / Star Myth	17	Lt. Silver <i>Valance paint</i> <i>Standard graphics pkg.</i>
8	Star Myth / Lavender Frost/ Pyrite	18	Chevy <i>VORTEC</i> Emblem
9	Star Myth / Lavender Frost/ Pyrite	19	Lavender Frost (TURBO DIESEL decal)
10	Star Myth / Lavender Frost/ Pyrite	20	Ford <i>TRITON V-10</i> Emblem

Note: Multistripe colors are listed in top-to-bottom sequence.

PAINT AND FILM COLOR CODES

Color	Dupont #
Bright White (<i>Main Body Color</i>)	B8951
Lavender Frost Met.	MM006
Pyrite Met.	F1916K
Star Myth Met.	MM013
Aztec Silver Met.	F2573U
Light Silver Met.	F2573U

1998 ADVENTURER



1998 ADVENTURER

EXTERIOR FILM GRAPHICS & PAINT

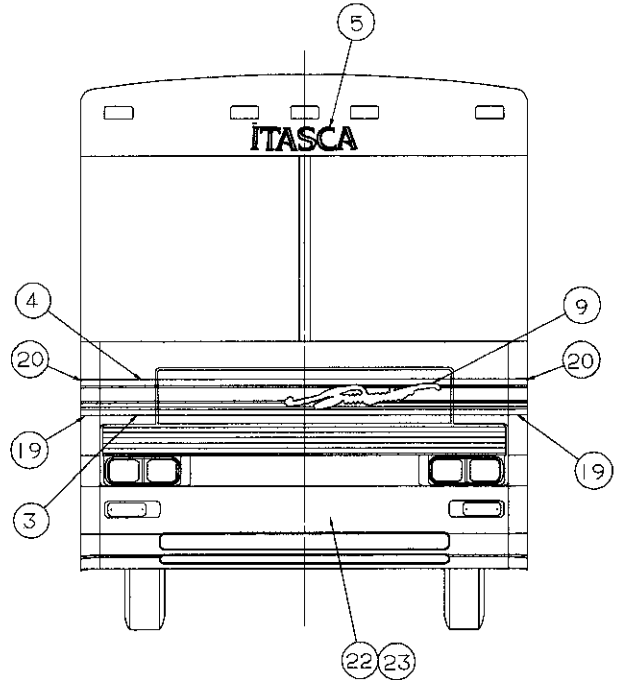
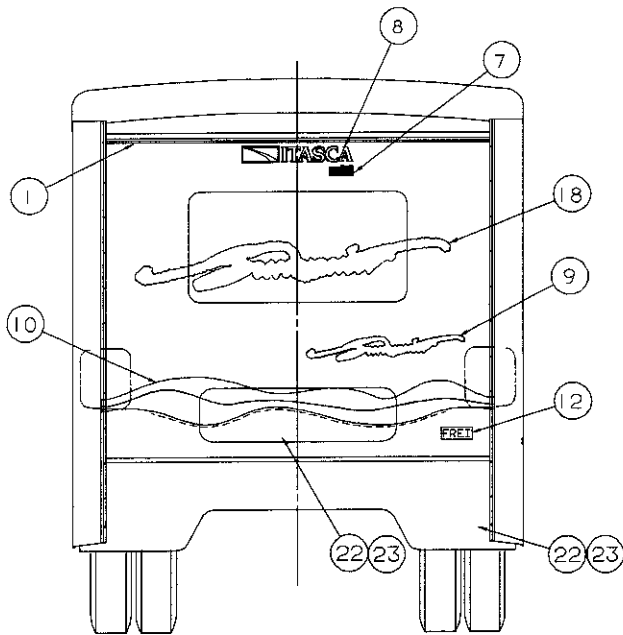
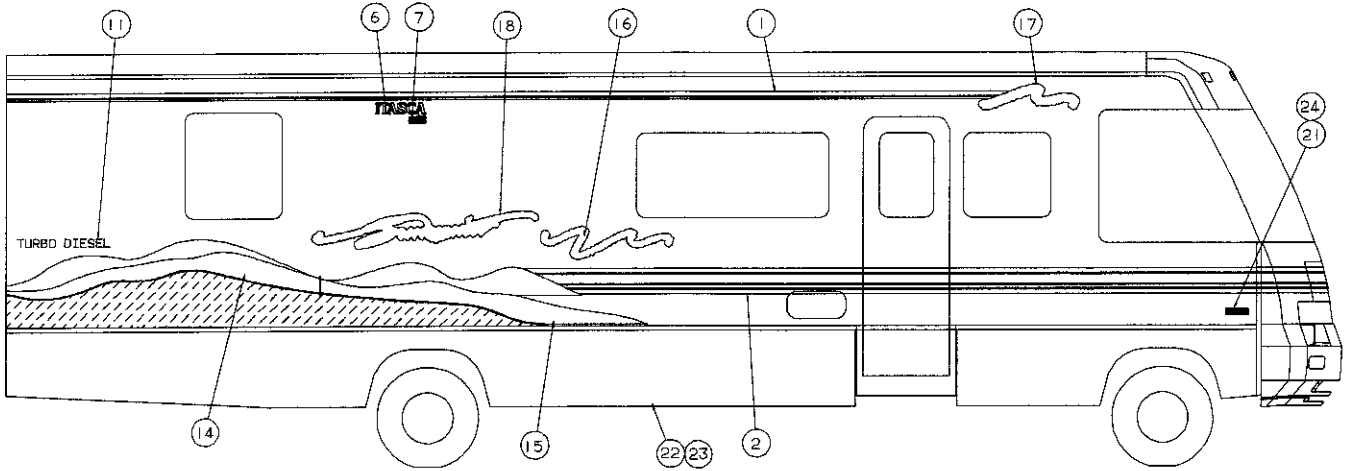
Item	Color	Item	Color
1	Midnight Blue Pearl/ Pine Green / Lt. Briar Brown	12	Bright White/ Midnight Blue Pearl/ Lt. Briar Brown / Bayberry/ Pine Green / Lt. Ivy Green
2	Pine Green (TURBO DIESEL decal)	13	Lt. Briar Brown
3	Lg. <i>FREIGHTLINER</i> Emblem	14	Midnight Blue Pearl/ Bright White/ Bayberry/ Pine Green / Lt. Ivy Green
4	Sm. <i>FREIGHTLINER</i> Emblem	15	Lt. Briar Brown
5	Bright White/ Midnight Blue Pearl/ Lt. Briar Brown	16	Pine Green
6	Pine Green	17	Lt. Champagne <i>Valance paint</i> w/opt. 27G – <i>Graphics Pkg.#1</i>
7	Lt. Briar Brown / Midnight Blue Pearl/ Pine Green	18	Chevy <i>VORTEC</i> Emblem
8	Bright White/ Midnight Blue Pearl/ Lt. Briar Brown / Bayberry/ Pine Green / Lt. Ivy Green	19	Wintergreen <i>Valance paint</i> w/opt. 92K – <i>Graphics Pkg.#2</i>
9	Pine Green	20	Pine Green
10	Bright White/ Midnight Blue Pearl/ Lt. Briar Brown	21	Lt. Briar Brown / Midnight Blue Pearl/ Pine Green
11	Pine Green	22	Ford <i>TRITON V-10</i> Emblem

Note: Multistripe colors are listed in top-to-bottom sequence.

PAINT AND FILM COLOR CODES

Color	Dupont #
Bright White (<i>Main Body Color</i>)	B8951
Midnight Blue Pearl	F4576
Pine Green Met.	GM256
Light Ivy Green Met.	YM537
Light Briar Brown Met.	MM073
Bayberry Met.	F4577
Wintergreen Met.	F3326U
Light Champagne Met.	F2997U

1998 SUNCRUISER



1998 SUNCRUISER

EXTERIOR FILM GRAPHICS & PAINT

Item	Color	Item	Color
1	Manhattan Mist / Lt. Turquoise	13	Sm. <i>FREIGHTLINER</i> Emblem
2	Violet Firemist / Manhattan Mist / Lt. Turquoise / Orchid Mist	14	Violet Firemist / Orchid Mist / Manhattan Mist / Lt. Turquoise
3	Lt. Turquoise / Orchid Mist	15	Violet Firemist / Orchid Mist / Manhattan Mist / Lt. Turquoise
4	Violet Firemist / Manhattan Mist	16	Bright White/ Manhattan Mist / Lt. Turquoise
5	Violet Firemist / Bright White	17	Bright White/ Manhattan Mist / Lt. Turquoise
6	Violet Firemist / Bright White	18	Bright White/ Lt. Turquoise / Violet Firemist / Manhattan Mist / Orchid Mist
7	Violet Firemist	19	Lt. Turquoise / Orchid Mist
8	Violet Firemist / Bright White	20	Violet Firemist / Manhattan Mist
9	Bright White/ Lt. Turquoise / Violet Firemist / Manhattan Mist / Orchid Mist	21	Chevy <i>VORTEC</i> Emblem
10	Violet Firemist / Orchid Mist / Manhattan Mist / Lt. Turquoise	22	Turquoise <i>Valance paint</i> w/opt. 27G – Graphics Pkg.#1
11	Lt. Turquoise (TURBO DIESEL decal)	23	Platinum <i>Valance paint</i> w/opt. 92K – Graphics Pkg.#2
12	Lg. <i>FREIGHTLINER</i> Emblem	24	Ford <i>TRITON V-10</i> Emblem

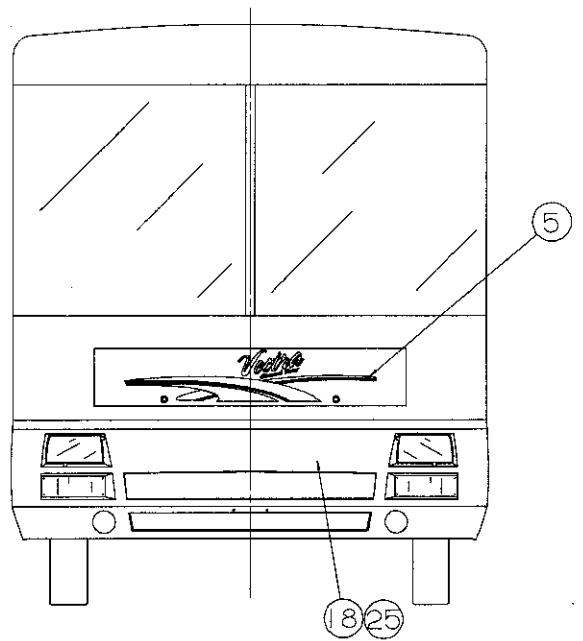
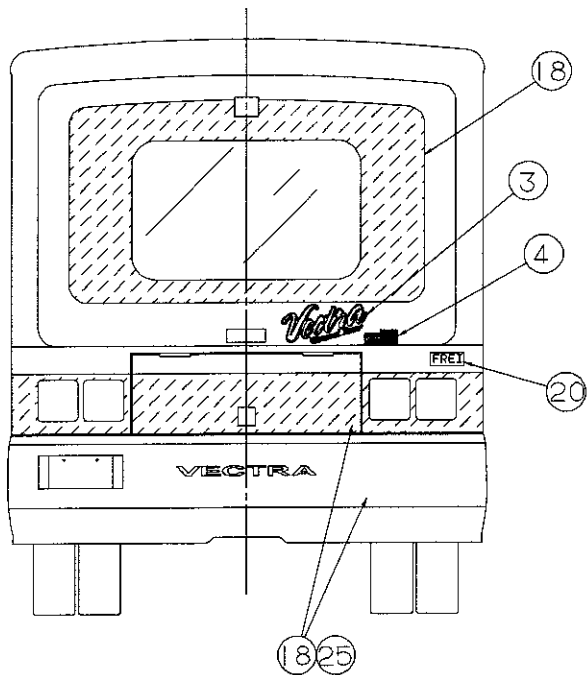
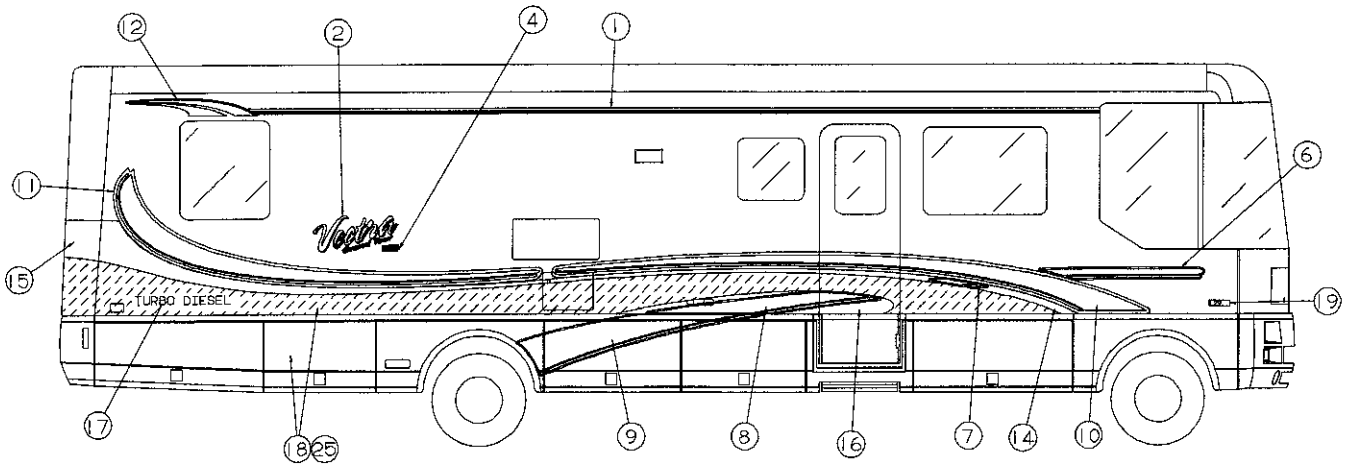
Note: Multistripe colors are listed in top-to-bottom sequence.

PAINT AND FILM COLOR CODES

Color	Dupont #
Bright White (<i>Main Body Color</i>)	B8951
Manhattan Mist Met.	GM182
Light Turquoise Met.	GM188
Violet Firemist Met.	F4572
Orchid Mist Met.	F1916K
Turquoise Met.	F2998U
Platinum Met.	F2528U

1998 VECTRA GRAND TOUR

Graphics Package #1 (Opt. 27G)



1998 VECTRA GRAND TOUR

Graphics Package #1 (Opt. 27G)

EXTERIOR FILM GRAPHICS & PAINT

Item	Color	Item	Color
1	Lago Blue / Lt. Rose	14	Bright White
2	Lt. Aqua / Lago Blue	15	Bright White
3	Bright White/ Lt. Aqua / Lago Blue	16	Bright White
4	Lago Blue	17	Bright White (TURBO DIESEL Decal)
5	Lt. Aqua / Lago Blue / Lt. Rose / Bright White	18	Lt. Aqua (Dupont F3325U) <i>*Standard valance paint</i>
6	Lt. Rose / Bright White/ Lago Blue	19	Chevy VORTEC Emblem
7	Lt. Rose / Bright White/ Lago Blue	20	FREIGHTLINER Chassis Emblem– Lg.
8	Lt. Rose / Bright White/ Lago Blue	21	FREIGHTLINER Chassis Emblem– Sm.
9	Lt. Rose / Bright White/ Lago Blue	22	Lt. Aqua <i>Valance paint</i> (Slideout models only)
10	Lago Blue / Lt. Rose	23	Lago Blue / Lt. Rose (Slideout models only)
11	Lago Blue / Lt. Rose	24	Lago Blue / Lt. Rose (Slideout models only)
12	Lt. Aqua / Lago Blue / Lt. Rose	25	Lt. Silver <i>Valance paint</i> <i>*Optional</i>
13	Lt. Aqua (Slideout models only)		

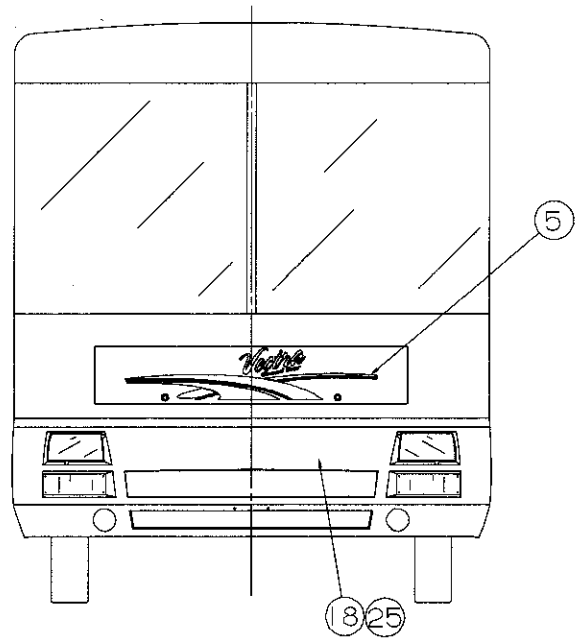
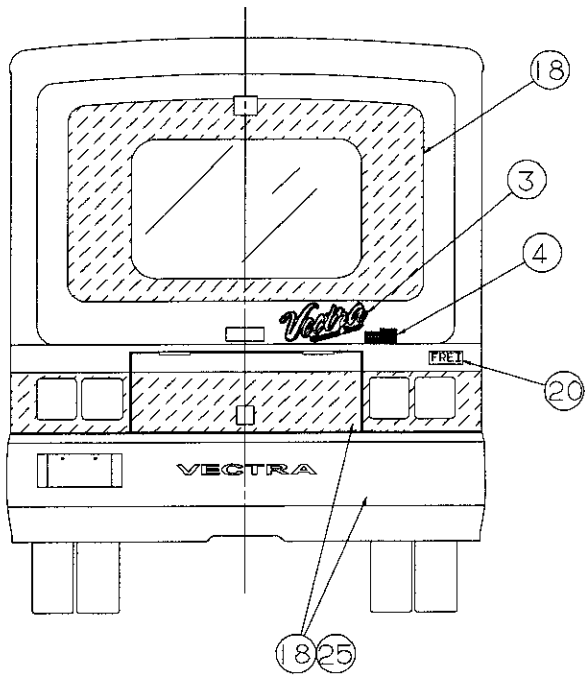
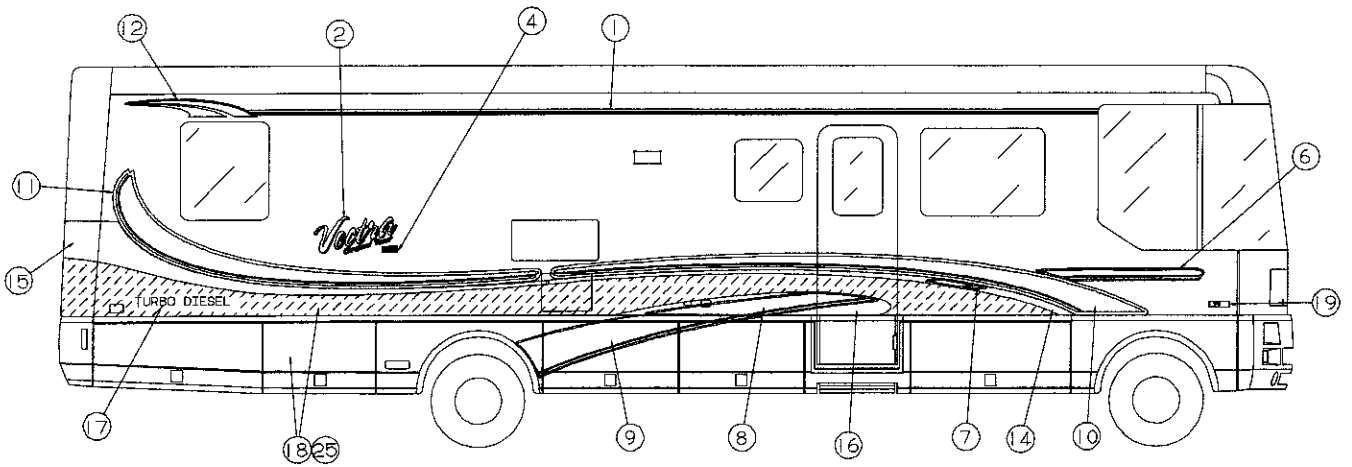
Note: Multistripe colors are listed in top-to-bottom sequence.

PAINT AND FILM COLOR CODES

Color	Dupont #
Bright White (<i>Main Body Color</i>)	B8951
Lago Blue Met.	W9212
Light Rose Met.	F4575
Light Aqua Met.	F3325U
Light Silver Met.	F2573U

1998 VECTRA GRAND TOUR

Graphics Package #2 (Opt. 92K)



1998 VECTRA GRAND TOUR

Graphics Package #2 (Opt. 92K)

EXTERIOR FILM GRAPHICS & PAINT

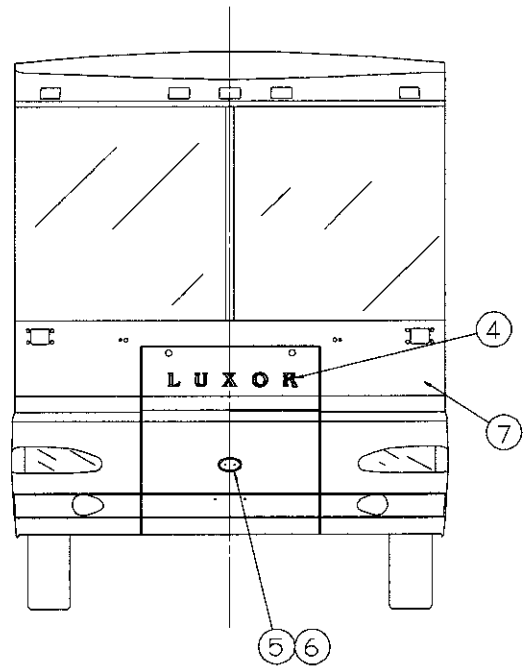
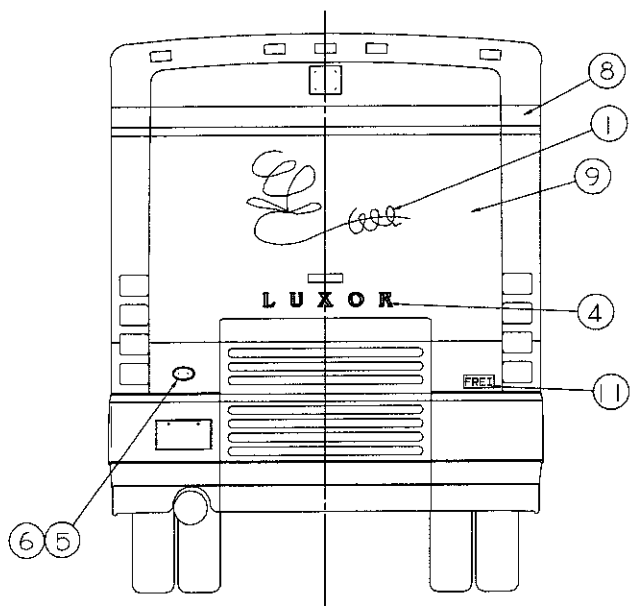
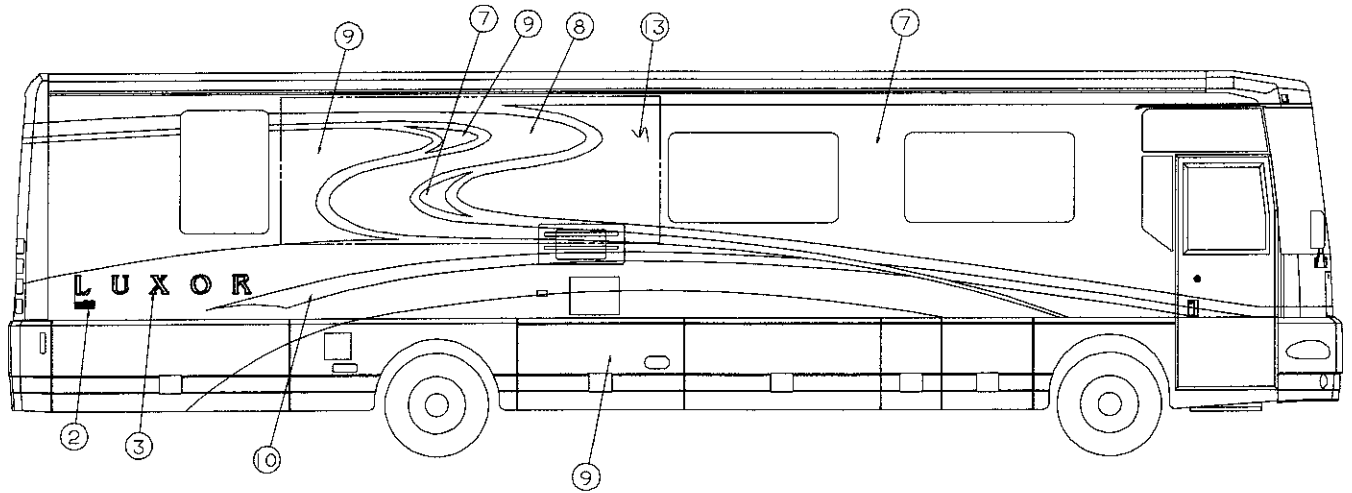
Item	Color	Item	Color
1	Lago Blue / Lt. Rose	13	Lt. Aqua (Slideout models only)
2	Wintergreen / Lago Blue	14	Bright White
3	Bright White/ Wintergreen / Lago Blue	15	Bright White
4	Lago Blue	16	Bright White
5	Wintergreen / Lago Blue / Lt. Rose / Bright White	17	Bright White (TURBO DIESEL Decal)
6	Lt. Rose / Bright White/ Lago Blue	18	Wintergreen (Dupont F3326U) *Valance paint
7	Lt. Rose / Bright White/ Lago Blue	19	Chevy VORTEC Emblem
8	Lt. Rose / Bright White/ Lago Blue	20	FREIGHTLINER Chassis Emblem– Lg.
9	Lt. Rose / Bright White/ Lago Blue	21	FREIGHTLINER Chassis Emblem– Sm.
10	Lago Blue / Lt. Rose	22	Wintergreen Valance paint (Slideout models only)
11	Lago Blue / Lt. Rose	23	Lago Blue / Lt. Rose (Slideout models only)
12	Wintergreen / Lago Blue / Lt. Rose	24	Lago Blue / Lt. Rose (Slideout models only)

Note: Multistripe colors are listed in top-to-bottom sequence.

PAINT AND FILM COLOR CODES

Color	Dupont #
Bright White (Main Body Color)	B8951
Lago Blue Met.	W9212
Light Rose Met.	F4575
Wintergreen Met.	F3326U

1998 LUXOR



1998 LUXOR

EXTERIOR FILM GRAPHICS & PAINT

Item	Color Pkg. #1 – Blue (Opt. 27G)	Item	Color Pkg. #2 – Red (Opt. 92K)
1	Ribbon Filigree– Bright White (<i>Body Color</i>)*	1	Ribbon Filigree– Bright White (<i>Body Color</i>)*
2	Decal– “Built Proudly by Winnebago Ind.”– Plum	2	Decal– “Built Proudly by Winnebago Ind.”– Canyon Red
3	LUXOR Decal– Lg. Domed Vinyl, Gold/Plum	3	LUXOR Decal– Lg. Domed Vinyl, Gold/Red
4	LUXOR Decal– Sm. Domed Vinyl, Gold/Plum	4	LUXOR Decal– Sm. Domed Vinyl, Gold/Red
5	LUXOR Grille Emblem– Gold	5	LUXOR Grille Emblem– Gold
6	LUXOR Grille Decal– Vinyl, Black/Gold/	6	LUXOR Grille Decal– Vinyl, Black/Gold/
7	Paint– Dk. Blue Met. (Dupont BM361U)	7	Paint– Sepia Met. (Dupont MM098U)
8	Paint– Plum Met. (Dupont DM007U)	8	Paint– Canyon Red Met. (Dupont RM012U)
9	Paint– Lt. Blue Met. (Dupont BM002U)	9	Paint– Lt. Taupe Met. (Dupont LM183U)
10	Paint– Mauve Met. (Dupont MM009U)	10	Paint– Lt. Rose Met. (Dupont LM001U)
11	Khaki / Concord Purple/ Violet Firemist / Bright White	11	FREIGHTLINER Chassis Emblem– Lg.
12	Khaki / Concord Purple/ Violet Firemist / Bright White	12	FREIGHTLINER Chassis Emblem– Sm.
13	Double “S” paint masking appliqué* RH side: 128245-01-000 45”x114” approx. LH side: 128245-02-000 45”x114” approx.	13	Double “S” paint masking appliqué* RH side: 128245-01-000 45”x114” approx. LH side: 128245-02-000 45”x114” approx.

*NOTE: White graphic elements are masked out areas of the main body color, bright white.

PAINT COLOR CODES

Color	Dupont #
Bright White (<i>Main Body Color</i>)	B8951
Dark Blue Met.	BM361
Light Blue Met.	BM002
Mauve Met.	MM009
Plum Met.	DM007
Sepia Met.	MM098
Light Taupe Met.	LM183
Light Rose Met.	LM001
Canyon Red Met.	RM012